



New ideas for Security



Product Catalog

Designed
and
Made
in
Europe



New ideas for Security

DMTech Ltd. was established 2011.

DMtech Ltd is a spin off, of a leading Bulgarian company in the Fire Alarm Industry. The founder, Milen Kirov, the present General Manager, has more than 20 years experience as a leading Designer for fire Alarm Systems.

DMTech Ltd. can proudly say, the present scope of delivery of fire Alarm Detectors, manual control points and fire Alarm Control Panels conventional and addressable including access to the fire control panel by W- Lan, are designed with the latest technology and know how. DMTech is an engineering company.

Our hard and software Engineers continuously upgrade and ad new features, functions and new equipment to our scope of delivery. We have just added remote access through W LAN to our conventional and addressable fire control panels which gives the end user to check, monitor and modify the program on line and react in case of emergency.

Our products are certified to the European standard CERTIFICATES.

With our Team of R&D Department engineers, mechanical, electronics and programmers we are able to design customized solution in house, to cater for the requirements in different countries and to OEM s.

We assure our costumers all our equipment is designed by our R&D Department and manufactured solely on the territory of the European Union.

We are confident of the reliability of our equipment therefore we grant our costumers a GUARANTY PERIOD OF 3 YEARS

The products with the trade mark of DMTEch are well accepted and acknowledged in a number of countries like Turkey, Romania, Macedonia, Serbia, Albania, Kosovo, Italy, Portugal, Spain, Latvia, Moldova, Georgia, Iran, Iraq, Syria, Bangladesh, Vietnam, Tunisia, Morocco, Pakistan, Greece Mongolia, Kazakhstan, Georgia, Armenia.





R U S S I A

KAZAKHSTAN

MONGOLIA

C H I N A

TURKEY

IRAN

PAKISTAN

I N D I A

BANGLADESH

VIETNAM

I N D O N E S I A

UKRAINE

EGYPT

SUDAN

ETHIOPIA

TANZANIA

ZIMBABWE

LESOTHO

GEORGIA
ARMENIA
AZERBAIJAN

SYRIA
LEBANON
JORDAN

SAUDI ARABIA
BAHRAIN
QATAR
UNITED ARAB EMIRATES
OMAN

YEMEN
Socotra (YEMEN)

SOMALIA

UGANDA
KENYA
BURUNDI

MALAWI

MOZAMBIQUE

Antananarivo

MADAGASCAR

Bassas da India (FRANCE)
Europa Island (FRANCE)

Comoros
Mayotte (administered by FRANCE, claimed by COMOROS)
Tromelin Island

Juan de Nova Island (FRANCE)

TURKMENISTAN
UZBEKISTAN
KYRGYZSTAN

AFGHANISTAN

1972 Line of Control
Line of Actual Control

LAKSHADWEEP (INDIA)

MALDIVES

British Indian Ocean Territory (U.K.)
Diego Garcia

SEYCHELLES
Glorioso Islands (FRANCE)

ANDAMAN ISLANDS (INDIA)
NICOBAR ISLANDS (INDIA)

BHUTAN
NEPAL

BURMA
LAOS
THAILAND
CAMBODIA

SRI LANKA

BRUNEI
MALAYSIA
SINGAPORE

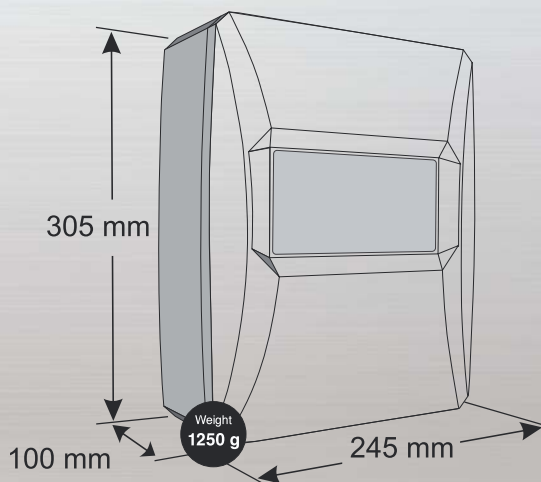
Hong Kong S.A.R.
Macau S.A.R.
Hainan Dao
PARACEL ISLANDS
SPRATLY ISLANDS

NORTH KOREA

ADDRESSABLE FIRE ALARM SYSTEM

FP 9000A ADDRESSABLE Analog Fire Control Panel

FP 9000A is analog addressable fire control panel with 1 loop up to 250 addressable devices and one conventional line up to 32 detectors. The panel is located in a plastic box with a compact surface mount. The panel is easy to install, maintain and operate on a daily basis.



Functional characteristics:

1 loop	DMTech protocol
Devices on the loop	up to 250 devices
Load capacity	up to 500 mA
Zones	8
Relay outputs	4
Outputs (controllable, programmable, relay)	2
Consumer Power Supply	(18-26) V / 1,5 A
Event memory	1023 events
Display	LCD 4*20 symbols
Language versions	Multilingual
Programming	DMTech software
Output for Interface	RS 485
One conventional line	Up to 32 devices
Certified according	EN 54-2 and EN 54-4

ADDRESSABLE FIRE ALARM SYSTEM



D 9000A T A1R / D 9000AI T A1R*

ADDRESSABLE Rate of Rise Heat Detector

With DMTEch communication protocol

Functional characteristics:

- Power supply from the control panel
 - Consumption in Duty mode 510 μ A
 - Consumption in Alarm mode 2 mA
 - Capability indication - 16 sec.
 - Compatible with base B 9000A with lock possibility
 - Address programming through a DMProg programmer or from the control panel.
 - Class A1R (EN 54-5) for the heat part.
 - Certified according EN 54-5
- *Option with built-in isolator



D 9000A T A1S / D 9000AI T A1S*

ADDRESSABLE Fixed Temperature Heat Detector

With DMTEch communication protocol

Functional characteristics:

- Power supply from the control panel
 - Consumption in Duty mode 510 μ A
 - Consumption in Alarm mode 2 mA
 - Capability indication - 16 sec.
 - Compatible with base B 9000A with lock possibility
 - Address programming through a DMProg programmer or from the control panel.
 - Class A1S (EN 54-5) for the heat part.
 - Certified according EN 54-5
- *Option with built-in isolator



D 9000A SR / D 9000AI SR*

ADDRESSABLE Optical Smoke Fire Detector

With DMTEch communication protocol

Functional characteristics:

- Power supply from the control panel
 - Consumption in Duty mode 510 μ A
 - Consumption in Alarm mode 2 mA
 - Capability indication - 16 sec
 - Compatible with base B 9000A with lock possibility
 - Address programming through a DMProg programmer or from the control panel
 - Certified according EN 54-7
- *Option with built-in isolator



D 9000A MSR / D 9000AI MSR*

ADDRESSABLE Combined Optical Smoke and Heat Fire Detector

With DMTEch communication protocol

Functional characteristics:

- Power supply from the control panel
 - Consumption in Duty mode 510 μ A
 - Consumption in Alarm mode 2 mA
 - Capability indication - 16 sec.
 - Compatible with base B 9000A with lock possibility
 - Address programming through a DMProg programmer or from the control panel
 - Class A1R (EN 54-5) for the heat part.
 - Certified according EN 54-5 and EN 54-7
- *Option with built-in isolator

ADDRESSABLE FIRE ALARM SYSTEM



B 9000A
Standard Base for
ADDRESSABLE
Fire Detectors
Series D 90000A
Ability to lock the detector to the base.

Functional characteristics:

- Connecting wires - 0.4-2.0 mm²
- Material (plastic) - ABS
- Compatible with D 9000A series detectors
- Key with ability to lock the detectors



S 9000A
S 9000A F*
ADDRESSABLE
Indoor Fire Alarm Siren
With DMTEch communication protocol

* Option with flash (strobe).

Functional characteristics:

- Sound level (90-94) dB
- Power supply from the control panel
- Consumption in Duty mode 470 µA
- Consumption in Alarm mode 12 mA
- Address programming through a DMProg programmer or from the control panel
- Built-in isolator
- Certified according to EN 54-3 and EN 54-17



D 9000A MCP
ADDRESSABLE
Manual Call Point
With DMTEch communication protocol

Functional characteristics:

- Power supply from the control panel
- Consumption in Duty mode 470 µA
- Consumption in Alarm mode 2 mA
- Recoverable flexible working element
- Protective transparent plastic cover
- Special key for recovery after an alarm event and test
- Address programming through a DMProg programmer or from the control panel
- Built-in isolator
- Certified according to EN 54-11 type "A" and EN 54-17
- IP Degree of protection IP 40



M 9000A IO
ADDRESSABLE
Module with
1 Output and 1 Input
With DMTEch communication protocol

Functional characteristics:

- Input - controllable
- Output - Relay (NC, COM, NO) - 5 - 30 VDC/1 A
- Power supply from the control panel
- Consumption in Duty mode 350 µA
- Consumption in Alarm mode 6 mA
- Address programming through a DMProg programmer or from the control panel.
- Built-in isolator
- Certified according to EN 54-18 и EN 54-17
- Plastic box suitable for wall mounting or DIN rail



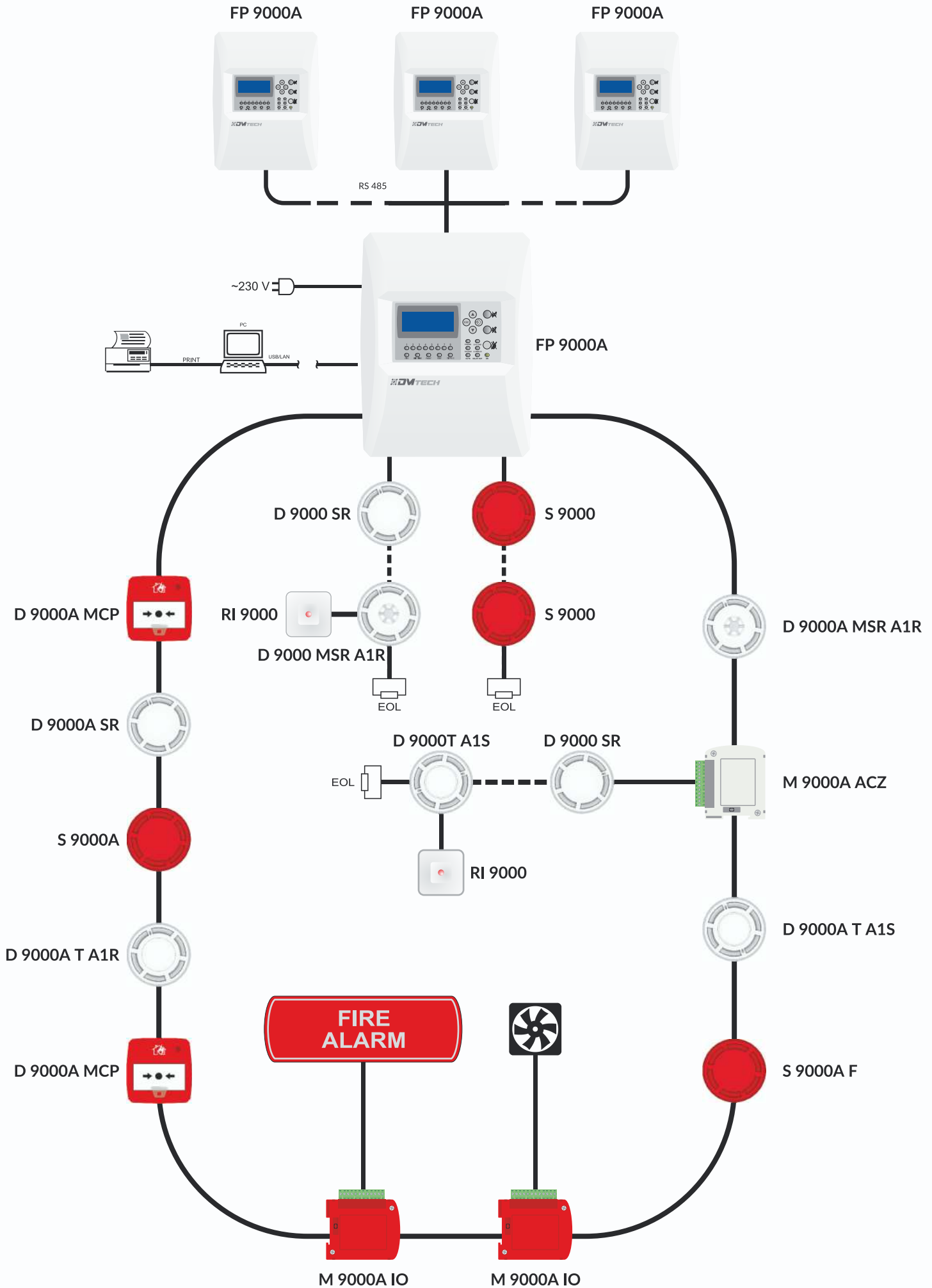
M 9000A ACZ
ADDRESSABLE
Module for
Conventional Zone

Used to monitor and connect conventional fire detectors to an addressable panel

Functional characteristics:

- Conventional zone up to 32 fire detectors
- End of line for conventional zone (EOL) - 4,7 k/0.5 W
- Power supply from the control panel
- Consumption in Duty mode 7 mA
- Consumption in Alarm mode 27 mA
- Address programming through a DMProg programmer or from the control panel
- Built-in isolator
- Certified according to EN 54-18 и EN 54-17
- Plastic box suitable for wall mounting or DIN rail

ADDRESSABLE FIRE ALARM SYSTEM



CONVENTIONAL FIRE ALARM SYSTEM

FP 9000-16/24/32 CONVENTIONAL Fire Control Panel

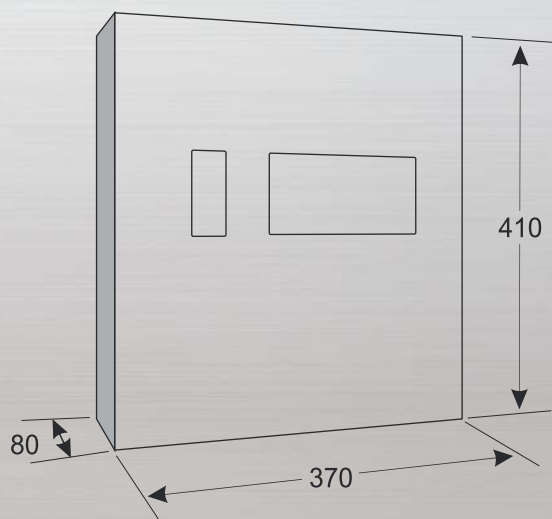
FP 9000 -16/24/32 are conventional fire alarm panels with 16, 24 or 32 fixed zones, certified according to standards EN54-2 and EN54-4.

DMTECH

Zones		
9	17	25
10	18	26
11	19	27
12	20	28
13	21	29
14	22	30
15	23	31
16	24	32



FP9000-32



Functional characteristics:

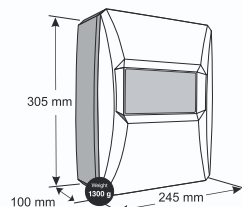
- 16, 24 or 32 monitored areas with up to 32 automatic or manual fire detectors
- 2 monitored siren outputs - 500 mA
- 8/12/16 relay outputs - programmable
- 2 relay outputs: 1 output "fire" and 1 output "fault"
- Archive - 1600 events
- Text message for each zone
- Programming over 70 panel parameters.
- Functions against false alarms
- Output delay from 0 to 900 seconds
- Zone test and disabling
- LCD display 2x16 characters and LED zone indication
- Metal box
- Consumer power supply (18-26) V / 2,0 A
- Space for 2 batteries 12 V / (7-18) Ah
- RS 485 interface output
- Networking with FP 9000R repeater

CONVENTIONAL FIRE ALARM SYSTEM

FP 9000L-2/4/6/8 CONVENTIONAL Fire Control Panel

FP 9000L-2/4/6/8 are conventional fire alarm panels with 2, 4, 6 or 8 fixed zones, certified according EN54-2 and EN54-4.

The panel is easy to install, maintain and operate on a daily basis. An effective solution for small objects

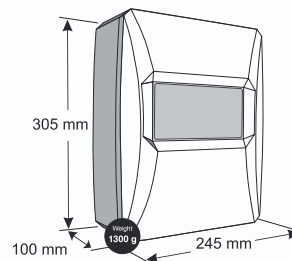


Functional characteristics:

- 2, 4, 6 or 8 monitored areas with up to 32 automatic or manual fire detectors
- 2 monitored siren outputs - 500 mA
- 2 relay outputs: 1 output "fire" and 1 output "fault"
- Function against false alarms
- Sirens delay from 0 to 7 minutes
- Zone test and disabling
- LED indication
- Plastic box
- Ability to add M 9000R-x relay module and control 2/4/6 or 8 relay outputs
- Setting all parameters via DMProgL software
- Consumer power supply (18-26) V / 1,0 A
- Space for 2 batteries 12 V / (1.3 - 5) Ah
- RS 485 interface output
- Networking with FP9000R repeater

FP 9000-4/8 CONVENTIONAL Fire Control Panel

FP 9000 - 4/8 are conventional fire alarm panels with 4 or 8 fixed zones with display and energy-independent real-time clock. Certified according EN54-2 and EN54-4

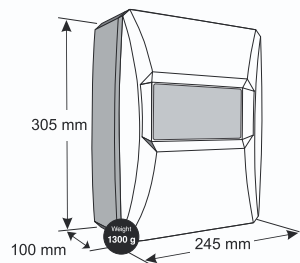


Functional characteristics:

- 4 or 8 monitored zones with up to 32 automatic or manual fire detectors
- 2 monitored siren outputs - 500 mA
- 2 relay outputs - programmable
- 2 relay outputs: 1 output "fire" and 1 output "fault"
- Archive - 1600 events
- Text message for each zone
- Programming over 70 panel parameters
- Functions against false alarms
- Output delay from 0 to 900 seconds
- Zone test and disabling
- LCD display 2x16 characters and LED zone indication
- Plastic box
- Ability to add M 9000R-x relay module and control 2, 4, 6 or 8 relay outputs
- Consumer power supply (18-26) V / 2,0 A
- Space for 2 batteries 12V / (4.5 - 5) Ah
- RS 485 interface output
- Networking with FP 9000R repeater

FP 9000R Repeater Remote Control Panel

FP 9000R Remote control panel for monitoring and control of FP 9000 remote fire control panels up to 8 pieces

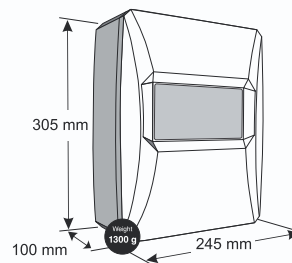


Functional characteristics:

- Up to 8 zones for monitoring and control of remote fire alarm panels
- LCD display 2x16 characters and LED zone indication
- Real time clock, energy independent
- Archive - 1600 events
- Text message for each remote panel
- 2 monitored siren outputs - 500 mA
- 2 relay outputs - programmable
- 2 relay outputs: 1 output "fire" and 1 output "fault"
- Output delay from 0 to 900 seconds
- Enabling and disabling of the panels
- Plastic box
- Built-in RS 485 interface
- Ability to add M 9000R-x relay module and control 2/4/6 or 8 relay outputs
- Consumer power supply (18-26) V / 2,0 A
- Space for 2 batteries 12V / (4.5-5) Ah

FP 9000P Power Supply

FP 9000P is a power supply unit for fire protection automation according to the requirements of (EN 54-4) for address and conventional systems



Functional characteristics:

- Output voltage (18-26) V
- Output continuous current 2.0 A
- Peak current - 3.5A for 15 min.
- Reserved battery power
- LED indication (EN 54-4)
- Fault Relay (NC, COM, NO) - 5-30 VDC / 1 A
- Plastic box
- Space for 2 batteries 12V / (4.5-5) Ah

CONVENTIONAL FIRE ALARM SYSTEM



D 9000 SR
OPTICAL
SMOKE
FIRE DETECTOR

Functional characteristics:

- Power supply (9-30) V
- Standby power consumption 80 μ A
- Consumption in alarm mode 20 mA / 24 V
- LED indication 360°
- Flashing for performance -16 sec.
- Self-compensation for contamination
- Indication of contaminated camera
- Ability for lock to the base
- EN Certified EN 54-7



D 9000 T A1R
RATE OF RISE
HEAT DETECTOR

Functional characteristics:

- Power supply (9-30) V
- Consumption in standby mode 50 μ A
- Consumption in alarm mode 20 mA / 24 V
- LED indication 360°
- Flashing for performance -16 sec.
- Ability for lock to the base
- A1 Class A1R (EN 54-5)
- EN Certified EN 54-5



D 9000 T A1S
FIXED
TEMPERATURE
HEAT DETECTOR

Functional characteristics:

- Power supply (9-30) V
- Consumption in standby mode 50 μ A
- Consumption in alarm mode 20 mA / 24 V
- LED indication 360°
- Flashing for performance -16 sec.
- Ability for lock to the base
- A1 Class A1S (EN 54-5)
- EN Certified EN 54-5



D 9000 MSR
COMBINED
OPTICAL
SMOKE AND HEAT
DETECTOR

Functional characteristics:

- Power supply (9-30) V
- Consumption in standby mode 80 μ A
- Consumption in alarm mode 20 mA / 24 V
- LED indication 360°
- Flashing for performance -16 sec.
- Ability for lock to the base
- A1 Class A1S (EN 54-5)
- EN Certified EN 54-5 and EN 54-7



D 9000 MCP
MANUAL
CALL POINT

Functional characteristics:

- Power supply (9-30) V
- Switch 0.5 k / 2 W, (1 k/1 W)
- A recoverable, flexible work item
- Status LED
- Special key to recover from an alarm event and test
- Protective transparent plastic cover
- Possibility of sealing
- Certified according to EN 54-11 type A
- Degree of protection IP 40

CONVENTIONAL FIRE ALARM SYSTEM



S 9000
INDOOR SIREN
with base

Functional characteristics:

- Power supply (9-30) V
- 65 mA power consumption
- Sound level 96 dB / 24 V
- Complete with red base B 9000 with lock
- Flash-light indication
- Certified EN 54-3



**B 9000 /
B 9000D***
STANDARD BASE
WITH KEY FOR LOCK

- Connecting wires - 0.4-2.0 mm²
- Material (plastic) - ABS
- Compatible with D 9000 series detectors
- Key with ability to lock the detectors

* Standard base with Schottky diode



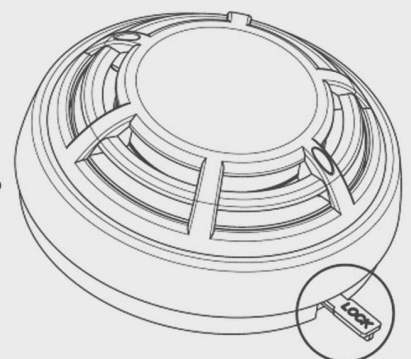
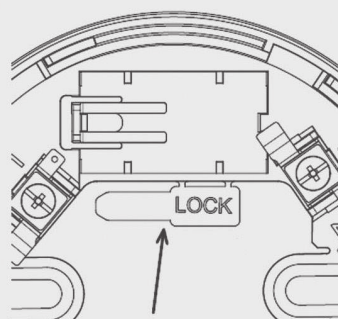
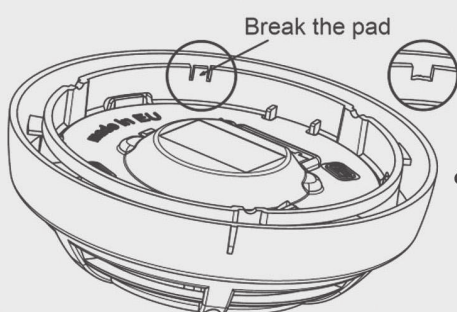
B 9000R
BASE WITH
RELAY OUTPUT

- Power supply (9-15) V
- Relay (NC, COM, NO)
- Connecting wires - 0.4-2.0 mm²
- For use in security alarm systems
- Compatible with D 9000 series detectors
- Key with ability to lock the detectors



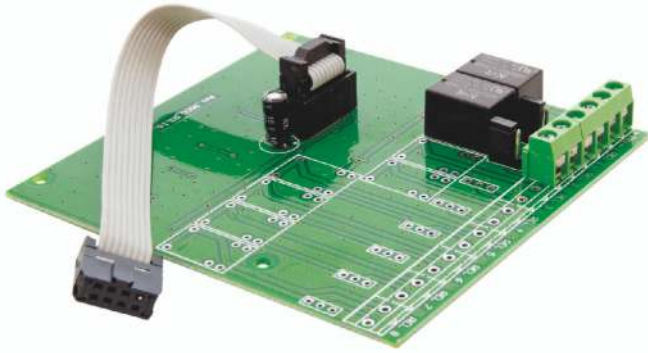
B 9000S
BASE WITH
SOUND
ANNOUNCER
MOUNTED

- Power supply (9-30) V
- Sound level 75 dB
- Compatible with D 9000 series detectors
- Connecting wires - 0.4-2.0 mm²
- Key with ability to lock the detectors
- Works with standard power supply as well as with installation of Fire Alarm
- Used in bedrooms for a higher alert level in an emergency



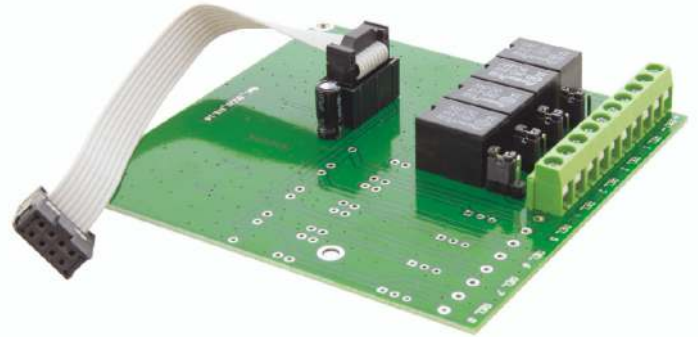
CONVENTIONAL FIRE ALARM SYSTEM

ACCESSORIES



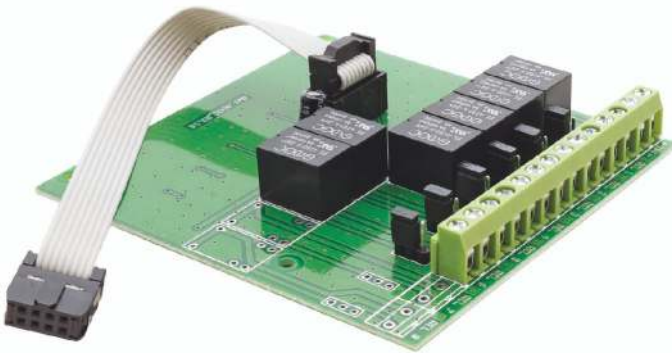
M 9000R-2

RELAY MODULE 2-RELAYS
Expansion output module for FP 9000-4/8
and FP 9000L control panels



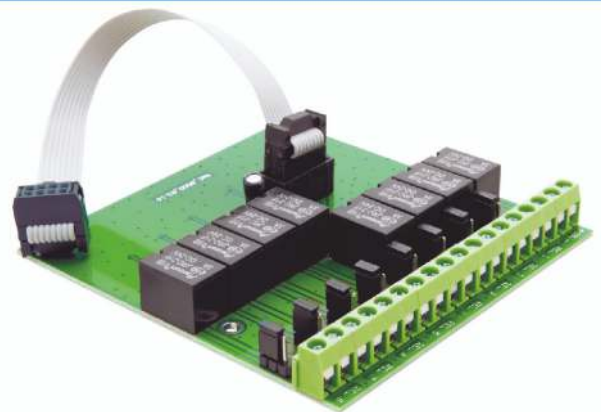
M 9000R-4

RELAY MODULE 4-RELAY
Expansion output module for FP 9000-4/8
and FP 9000L control panels



M 9000R-6

RELAY MODULE 6-RELAY
Expansion output module for FP 9000-4/8
and FP 9000L control panels



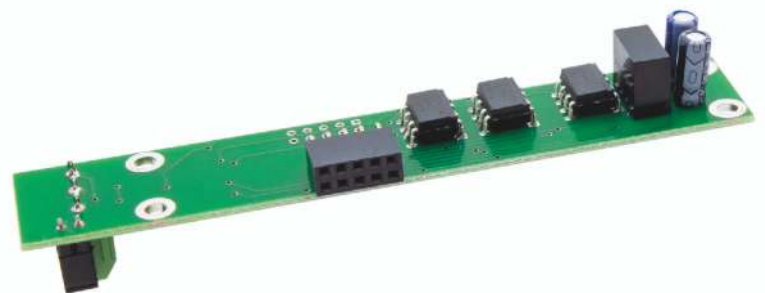
M 9000R-8

RELAY MODULE 8-RELAY
Expansion output module for FP 9000-4/8
and FP 9000L control panels



RI 9000

REMOTE LED INDICATOR
with limiting resistor
560 Ω /0,5 W



M 9000-485

RS 485 INTERFACE MODULE, GALVANICALLY SEPARATED
Used on FP 9000 panels to communicate on a network with an
FP 9000R repeater or a PC connection



M 9000-USB

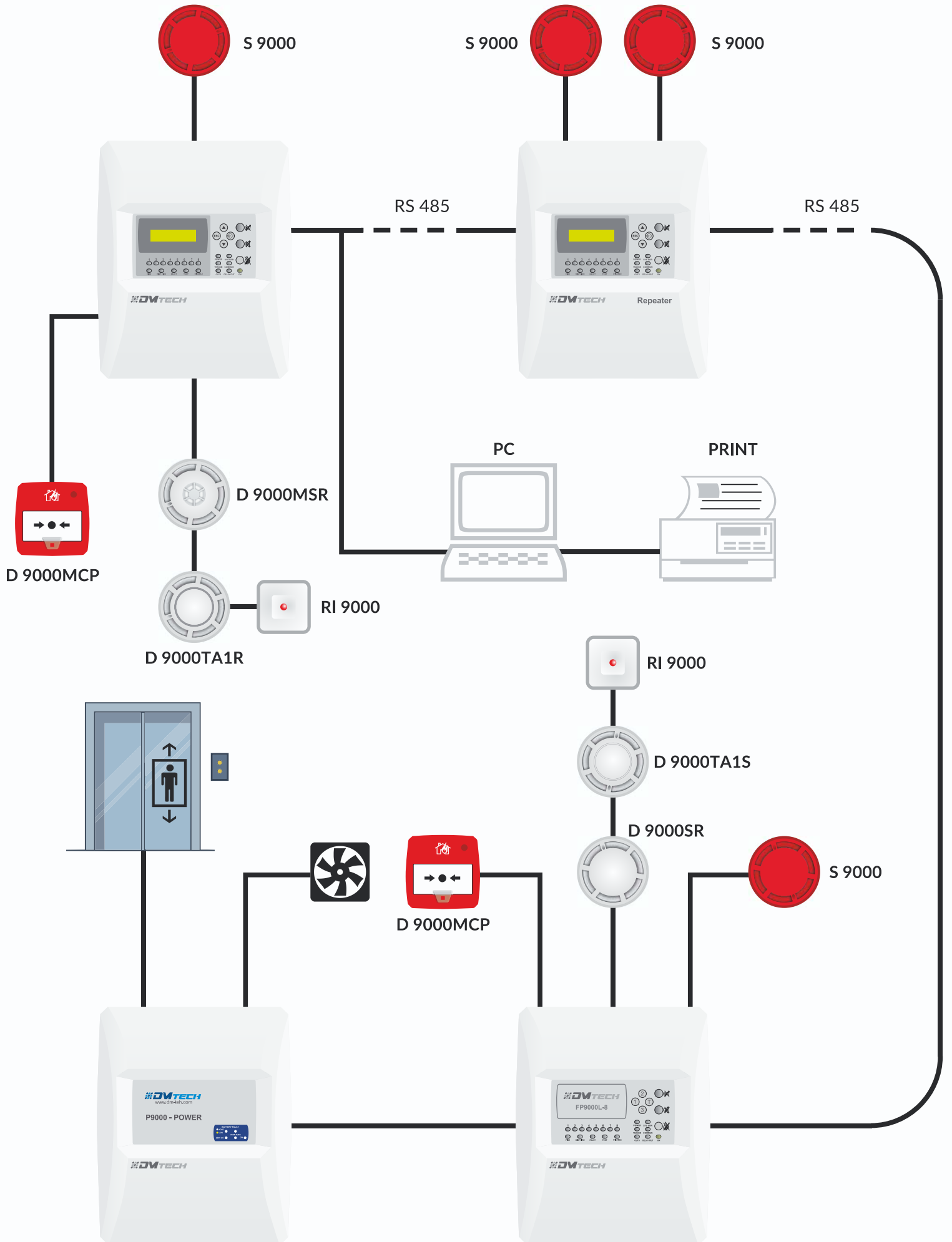
USB TO RS485 ADAPTER
FOR PC FOR COMMUNICATION
WITH FP9000 CONTROL PANELS



M 9000-12V

12 V / 250 MA POWER MODULE FOR POWERING 12 V
DATA TRANSMITTERS: GSM COMMUNICATORS, DIALERS
AND MORE FOR FP9000 PANELS

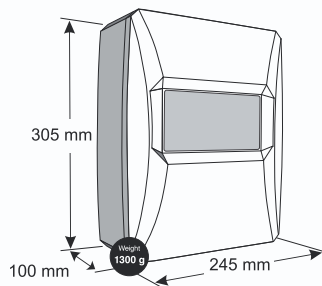
CONVENTIONAL FIRE ALARM SYSTEM



FIRE EXTINGUISHING SYSTEM

FP 9000E Fire Extinguishing Control Panel

Fire extinguishing control panel. The panel is intended for use in gas, dust, aerosol, water and other active extinguishing systems. Certified according to EN 12094-1, EN 54-2 and EN 54-4



Functional characteristics:

- LCD display 2x16 characters and LED indication
- Real-time clock, non-volatile.
- Archive - 1600 events
- Programming and setting parameters from the built-in keyboard and display menus.
- Plastic box
- Space for 2 batteries 12 V / (4.5-5) Ah
- Built-in switch Manual mode / Automatic mode / Prohibition.



Inputs:

- 2 conventional fire extinguishing zones
- 1 conventional fire alarm zones
- Low Pressure input - controllable balanced input
- Manual release input - controllable balanced input
- Mode select input - controllable balanced input for switching between automatic and manual mode
- Hold input - controllable balanced input
- Enable / Disable - controllable balanced input
- Flow Control - Controlled balanced input

Outputs:

- Out 1 (Siren 1 Level) - Controllable, 24 VDC, 500 mA
- Out 2 (Level 2 siren) - Controllable, 24 VDC, 500 mA
- Relay 1 Alarm Fire Level 5-30 VDC / 1 A
- Relay 2 Fire Alarm Level 5-30 VDC / 1 A
- Fault Relay (NC, COM, NO), 5-30 VDC / 1 A
- EXTING (Fire Extinguishing, EN 12094-1) - Controllable, 24 VDC / 1 A - 5 min, 24 VDC / 3A - 20 ms
- OC1 - Hold Activation Event
- OC2 - Disabled mode selected
- OC3 - Low Pressure Event
- OC4 - Manual mode selected

D 9000 MCP-Y

MANUAL RELEASE BUTTON
for extinguishing in Fire

Works in conjunction with
fire extinguishing panels



Functional characteristics:

- Power supply (9-30) V
- Switching 1.5 k / 0.5 W
- A recoverable, flexible work item
- Special key for event and test recovery
- Protective transparent plastic cover
- Possibility of sealing

D 9000 MCP-B

EMERGENCY STOP BUTTON
for hold the extinguishing process
extending the evacuation time

Works in conjunction with
fire extinguishing panels



Functional characteristics:

- Power supply (9-30) V
- Switching 1.5 k / 0.5 W
- A recoverable, flexible work item
- Special key for event and test recovery
- Protective transparent plastic cover
- Possibility of sealing

D 9000 MCP-G

MANUAL EXTENSION RELEASE
BUTTON

for automatic activation,
which enables the extinguishing
to be started using an additional
extinguishing source



Functional characteristics:

- Power supply (9-30) V
- Switching 1.5 k / 0.5 W
- A recoverable, flexible work item
- Special key for event and test recovery
- Protective transparent plastic cover
- Possibility of sealing

D 9000 EXT

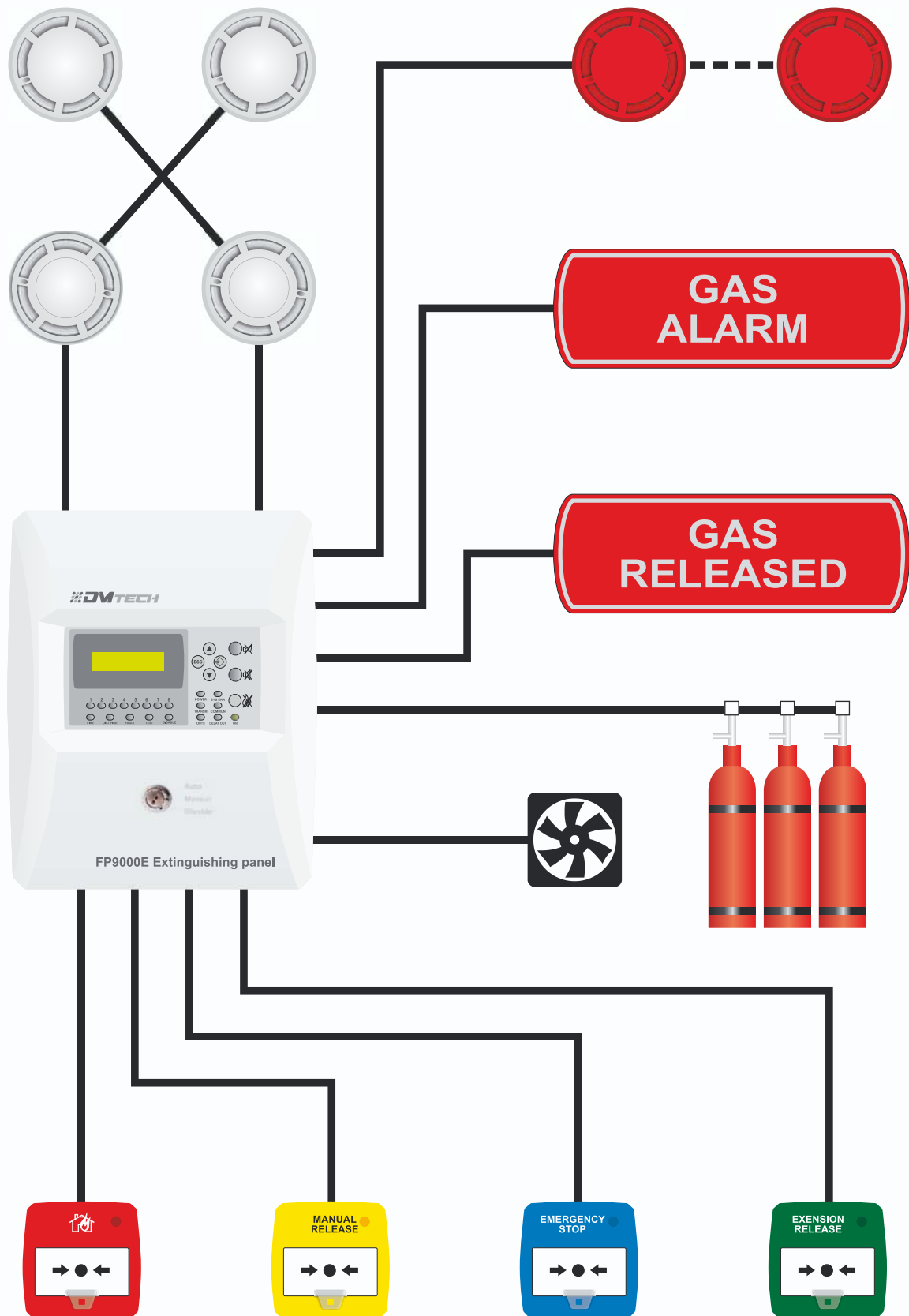
MICROPROCESSOR
MODULE
with 4 relay outputs
for aerosol extinguishing



Functional characteristics:

It is mounted to the fire extinguishing panel FP 9000E and serves for the control of AEROSOL EXTINGUISHING with 4 controllable relay outputs, which are switched on in series. This allows all actuators of the aerosol device to have the required full energy at the time of switching on.

FIRE EXTINGUISHING SYSTEM



 **DMTECH**

